

SINGER
14U444B,14U454B

PARTS LIST

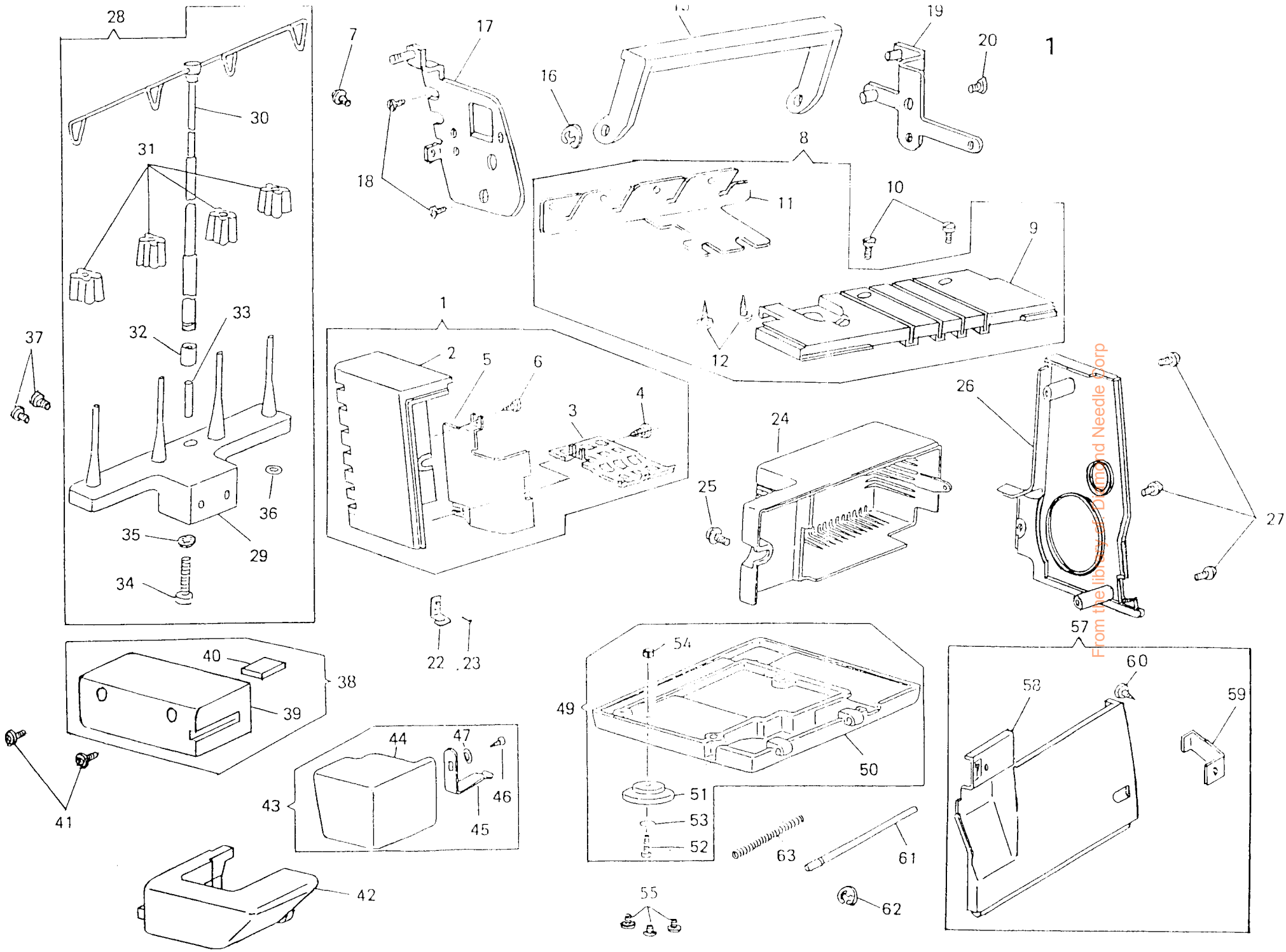
SINGER

14U444B

14U454B

Copyright © 1993 THE SINGER COMPANY
All Rights Reserved Throughout The World

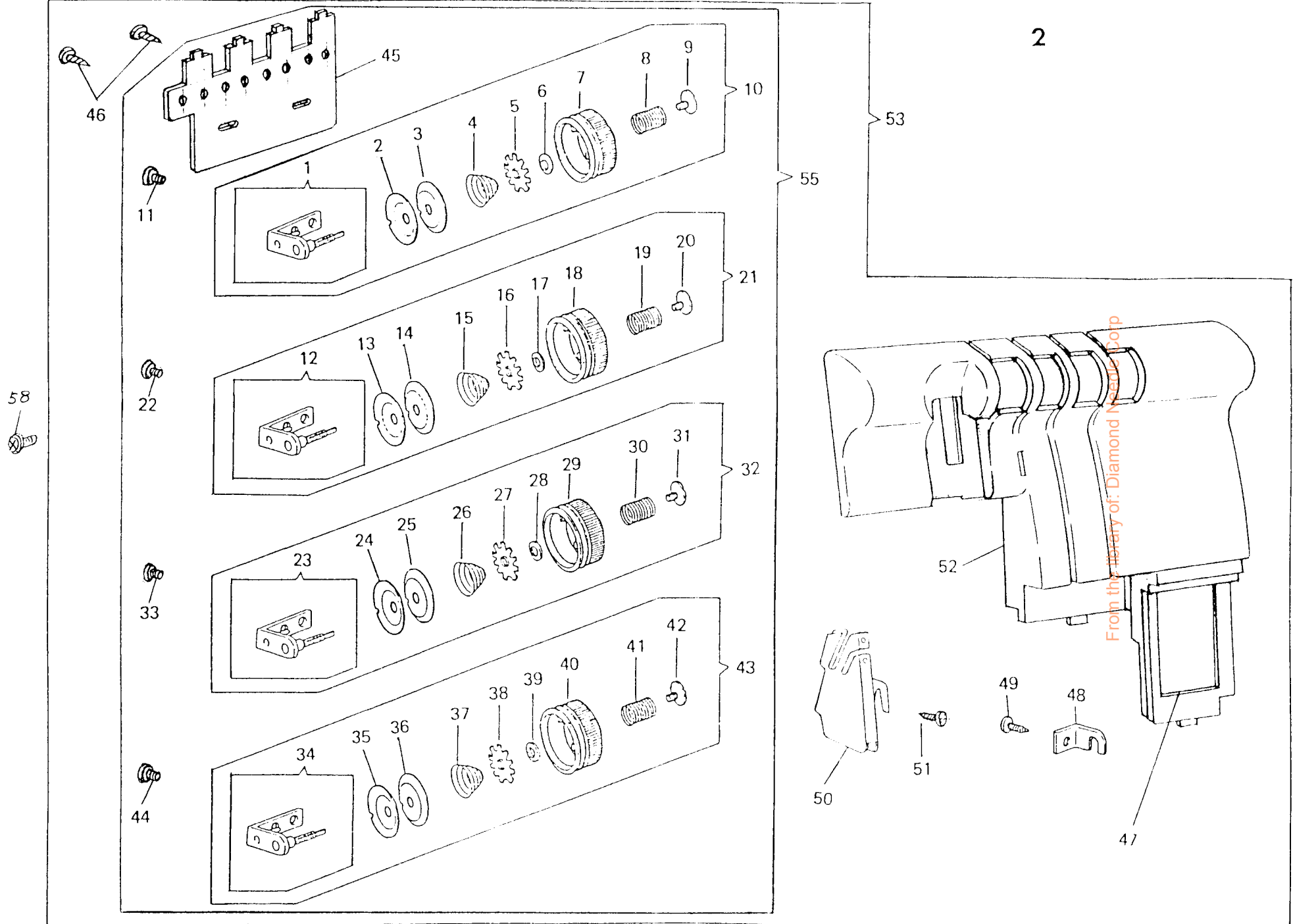
From the library of: Diamond Needle Corp



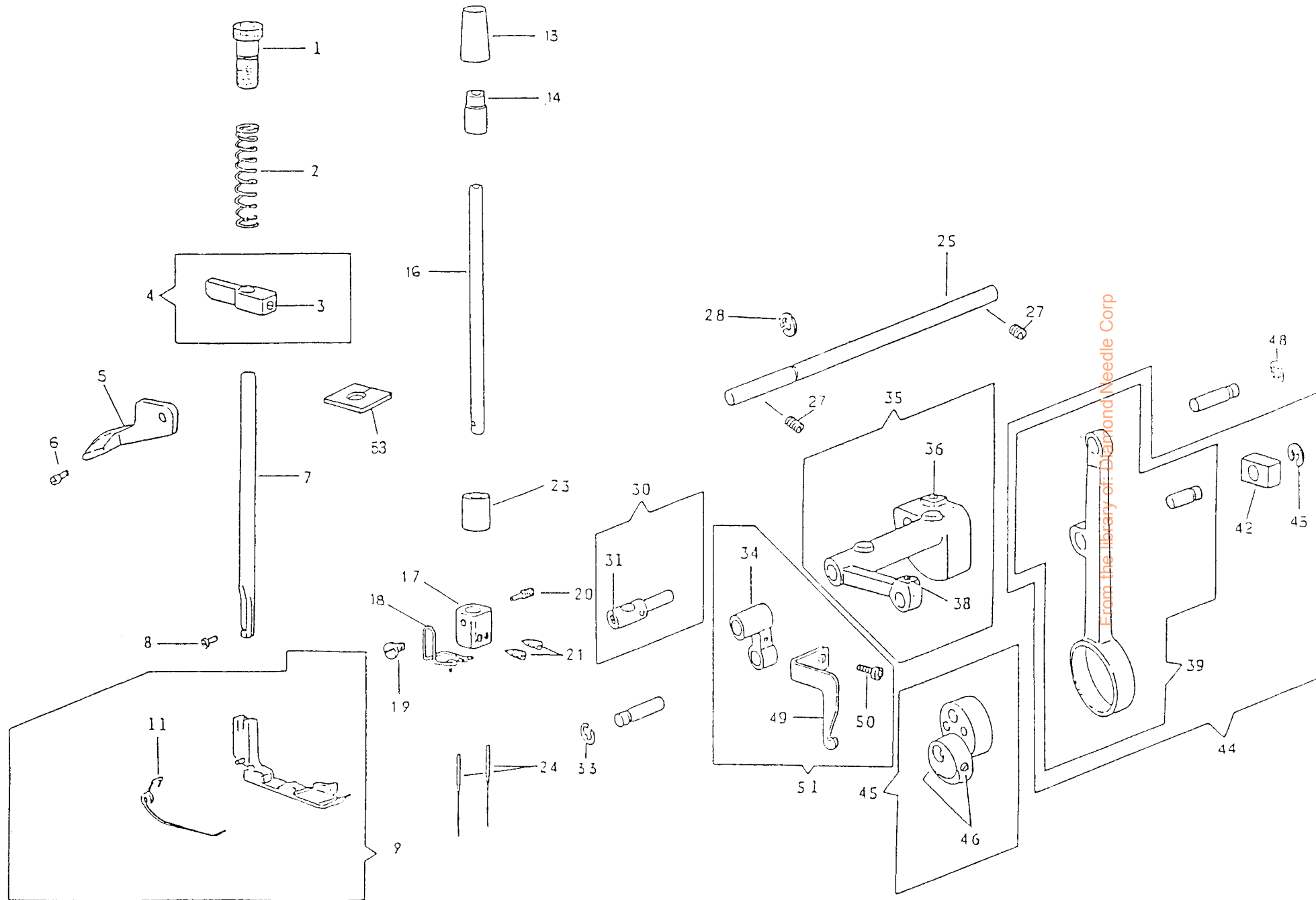
Part No.	Description	Part No.	Description
1	281444-452 Light Cover Comp.	38	376680-451 Cloth Plate (back) Comp.
2	281445-452 Light Cover	39	376681-451 Cloth Plate (back)
3	281446 Light Grille	40	376687 Cloth Plate (back) Felt
4	412697-003 Light Grille Screw	41	544270-001 Cloth Plate (back) Screw (2)
5	281478 Light Shield	42	376677-451 Cloth Plate (front) Comp.
6	544248-002 Light Shield Screw	43	376682-451 Cylinder Cover Comp.
7	544270-001 Light Cover Screw	44	376683-451 Cylinder Cover
8	376696-451 Top Cover Comp.	45	412682 Cylinder Cover Spring
9	376673-451 Top Cover	46	412697 Cylinder Cover Spring Clamping Screw
10	544212-072 Top Cover Screw (2)	47	543804-003 Cylinder Cover Spring Clamping Screw Washer
11	376685 Top Cover Thread Guide		
12	412697-002 Top Cover Thread Guide Screw (2)	49	376794-006 Machine Base Comp.
		50	376793-006 Machine Base
		51	410208 Machine Base Cushion (4)
15	281436-452 Handle	52	544218-002 Machine Base Cushion Screw (4)
16	546623 Handle Retaining Ring	53	543803-004 Machine Base Cushion Washer (4)
17	281441 Handle Bracket (left) Comp.	54	541166-001 Machine Base Cushion Screw Nut (4)
18	544212-001 Handle Bracket (left) Comp. Screw (2)	55	544214-005 Machine Base Screw (3)
19	281437 Handle Bracket (right) Comp.		
20	544212-001 Handle Bracket (right) Comp. Screw	57	376674-451 Looper Cover Comp. (for 14U444BB)
		57	376674-452 Looper Cover Comp. (for 14U454BB)
22	412534 Needle Thread Guide	58	376675-451 Looper Cover (graphic) (for 14U444BB)
23	544258 Needle Thread Guide Screw	58	376675-452 Looper Cover (graphic) (for 14U454BB)
24	410248-006 Motor Cover	59	281472 Looper Cover Hook
25	544270-001 Motor Cover Screw	60	544248-003 Looper Cover Hook Screw
26	281457-452 Pulley Cover	61	281474 Looper Cover Hinge Pin
27	544270-001 Pulley Cover Screw (3)	62	543801-002 Looper Cover Hinge Pin Retaining Ring
28	281452-452 Thread Unwinder Comp.	63	376717 Looper Cover Hinge Pin Spring
29	281453-452 Thread Unwinder		
30	281454 Thread Unwinder Thread Guide Rod Comp.		
31	546893 Spool Holder (4)		
32	281455 Thread Unwinder Thread Guide Cushion		
33	543876-001 Thread Unwinder Thread Guide Rod Spacer		
34	544212-057 Thread Unwinder Thread Guide Rod Screw		
35	543803-004 Thread Unwinder Thread Guide Rod Screw Washer		
36	543871-003 Thread Unwinder Thread Guide Rod O Ring		
37	544213-001 Thread Unwinder Comp. Screw (2)		

From Inventory of Diamond Needle Co.

2

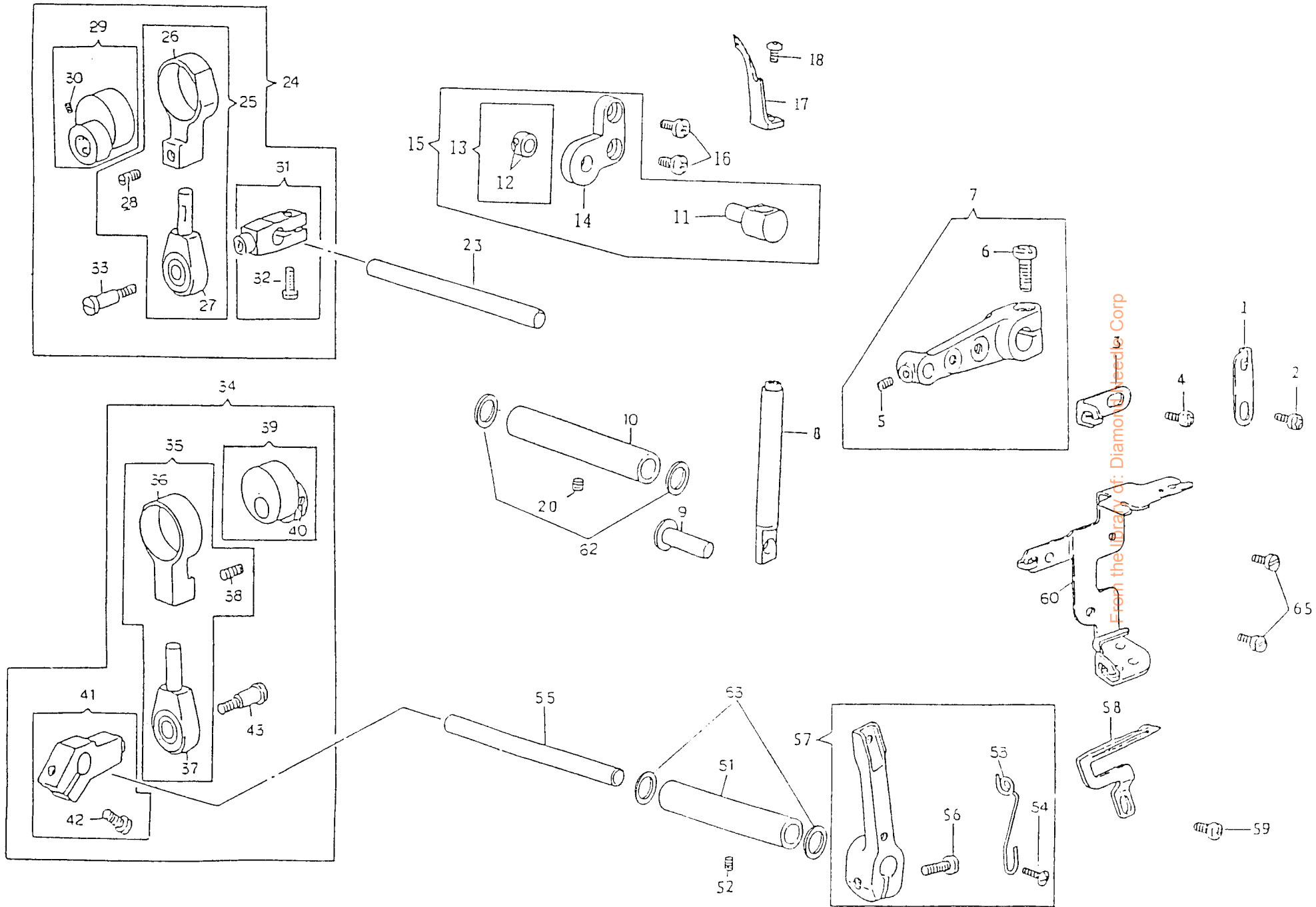


Part No.	Description	Part No.	Description
1	376693 Tension Dial Bracket Comp.	30	410230 Tension Dial Presser Spring
2	376566 Tension Disc (with dent)	31	544265 Tension Dial Presser Spring Screw
3	410226 Tension Disc	32	376691-452 One Turn Tension Dial Comp. (right looper)
4	376620 Tension Disc Spring (dia. 1.1)	33	544212-006 One Turn Tension Dial Comp. Set Screw
5	370289 Tension Disc Spring Nut	34	376693 Tension Dial Bracket Comp.
6	412696 Tension Dial Washer	35	376566 Tension Disc (with dent)
7	376582-475 Tension Dial Comp. (snow white) (blue)	36	410226 Tension Disc
8	410230 Tension Dial Presser Spring	37	376620 Tension Disc Spring (dia. 1.1)
9	544265 Tension dial Presser Spring Screw	38	370289 Tension Disc Spring Nut
10	376689-452 One Turn Tension Dial Comp. (left needle)	39	412696 Tension Dial Washer
11	544212-006 One Turn Tension dial Comp. Set Screw	40	376582-474 Tension Dial Comp. (snow white) (yellow)
12	376693 Tension Dial Bracket Comp.	41	410230 Tension Dial Presser Spring
13	376566 Tension Disc (with dent)	42	544265 Tension Dial Presser Spring Screw
14	410226 Tension Disc	43	376692-452 One Turn Tension Dial Comp. (left looper)
15	412680 Tension Disc Spring (dia. 1.0)	44	544212-006 One Turn Tension Dial Comp. Set Screw
16	370289 Tension Disc Spring Nut	45	376695 One Turn Tension Dial Bracket
17	412696 Tension Dial Washer	46	412697-002 One Turn Tension Dial Bracket Screw (2)
18	376582-476 Tension Dial Comp. (snow white) (green)	47	376686 Threading Chart
19	410230 Tension Dial Presser Spring	48	412531 Front Cover Thread Guide (small)
20	544265 Tension Dial Presser Spring Screw	49	412697-003 Front Cover Thread Guide (small) Screw
21	376690-452 One Turn Tension Dial Comp. (right needle)	50	218487 Front Cover Thread Guide
22	544212-006 One Turn Tension Dial Comp. Set Screw	51	412697 Front Cover Thread Guide Screw
23	376693 Tension Dial Bracket Comp.	52	376672-901 Front Cover
24	376566 Tension Disc (with dent)	53	376670-452 Front Cover Comp.
25	410226 Tension Disc		
26	376619 Tension Disc Spring (dia. 0.9)		
27	370289 Tension Disc Spring Nut		
28	412696 Tension Dial Washer		
29	376582-473 Tension Dial Comp. (snow white) (orange)	55	376688-452 One Turn Tension Dial Comp.
		58	544272-003 Front Cover Screw (3)

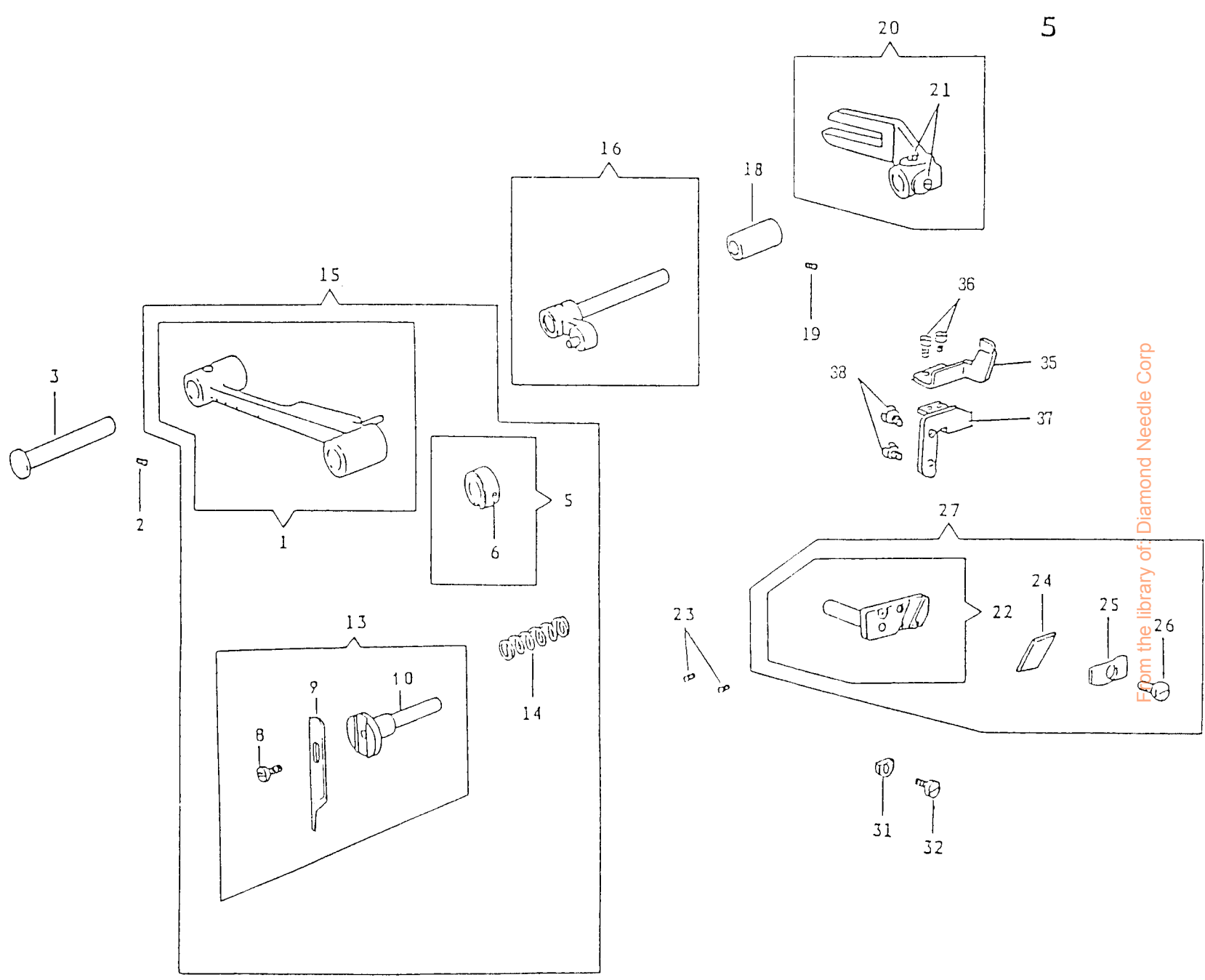


From the library of Diamond Needle Corp

Part No.	Description	Part No.	Description
1	544262-004 Presser Regulating Thum Screw	39	370243 Needle Bar Crank Rod Comp.
2	410355 Presser Bar Spring		
3	544204-001 Presser Bar Guide Bracket Screw		
4	410352 Presser Bar Guide Bracket Comp.	42	511030 Needle Bar Crank Rod Slide Block
5	412787-003 Presser Bar Lifter	43	543801-006 Needle Bar Crank Rod Slide Block Pin Retaining Ring
6	544441 Presser Bar Lifter Screw Stud		
7	410351 Presser Bar	44	370242 Needle Bar Crank Rod Comp.
8	504063-451 Presser Foot Screw	45	410329 Needle Bar Eccentric Cam Comp.
9	376827 Presser Foot Comp.	46	544204-002 Needle Bar Eccentric Cam Set Screw (2)
11	410348 Presser Foot Spring	48	543801-006 Needle Bar Crank Rod Pin Retaining Ring
13	410322-003 Needle Bar Bushing (upper) Cap	49	281488 Striker
14	410323 Needle Bar Bushing (upper)	50	544211-051 Striker Screw
16	376844 Needle Bar	51	281489 Needle Bar Connecting Link Comp.
17	376520 Needle Clamp		
18	376848 Needle Bar Thread Guide		
19	544211-059 Needle Bar Thread Guide Set Screw		
20	374102 Needle Bar Set Screw		
21	374364 Needle Set Screw (for left and right)(2)	53	376567 Presser Bar Felt
23	410324 Needle Bar Bushing (lower)		
24	N2054-42-14 Needle (#14)(2)		
25	376814 Arm Shaft		
27	544204-002 Arm Shaft Bushing Set Screw (2)		
28	543801-007 Arm Shaft Retaining Ring		
30	410325 Needle Bar Connecting Stud		
31	544044 Needle Bar Connecting Stud Screw		
33	543801-006 Needle Bar Connecting Link Pin Retaining Ring		
34	410327 Needle Bar Connectin Link		
35	412707-001 Needle Bar Crank Comp.		
36	544203-001 Needle Bar Crank Rod Pin Screw		
38	544203-001 Needle Bar Connecting Link Pin Screw		



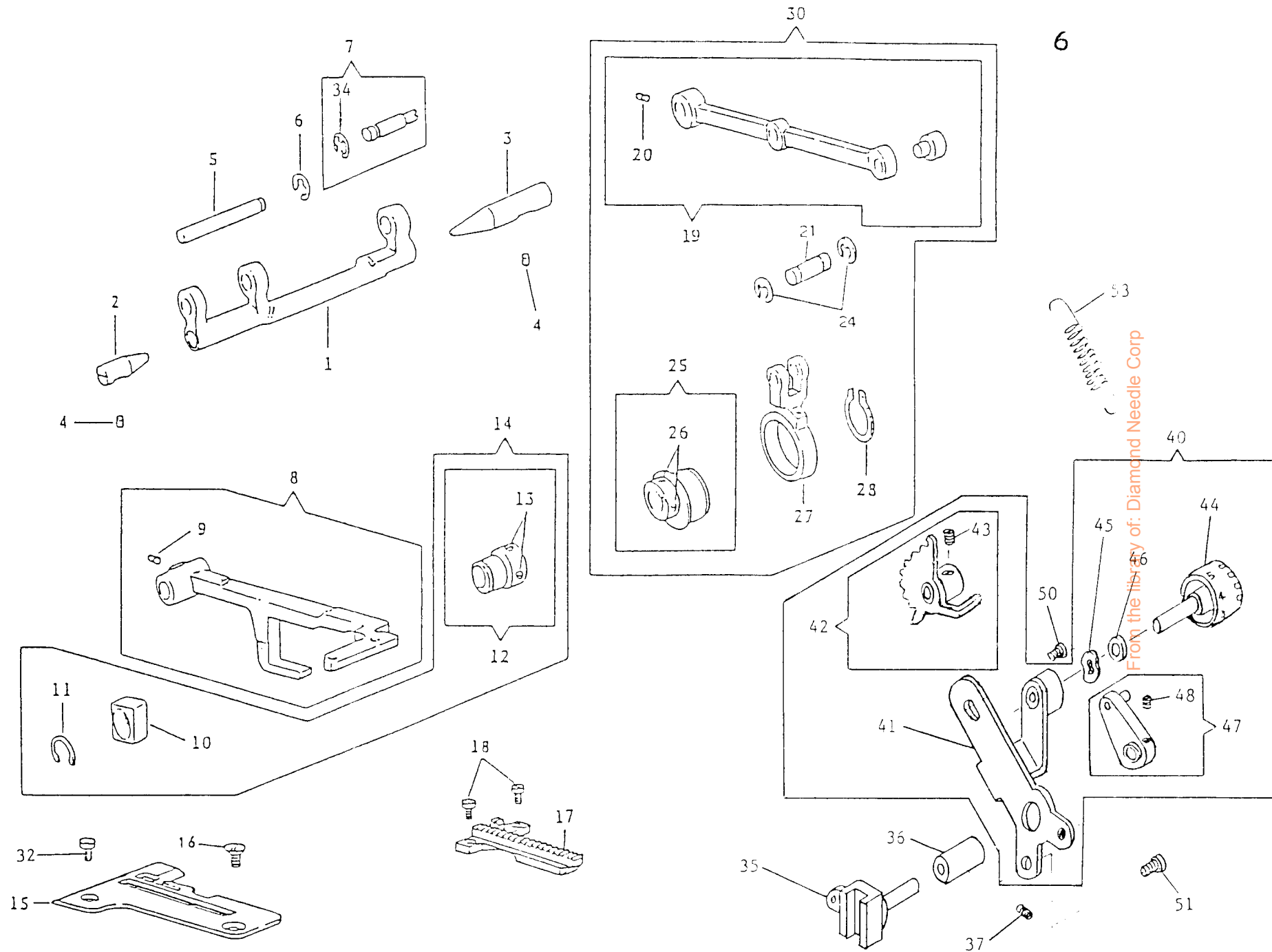
Part No.	Description	Part No.	Description		
1	410455	Right Looper Thread Guide	39	376701	Looper Cam Comp.
2	544212-001	Right Looper Thread Guide Set Screw	40	544204-001	Looper Cam Set Screw (2)
3	410438	Left Looper Thread Guide	41	412798	Left Looper Shaft Lever Comp.
4	544212-001	Left Looper Thread Guide Set Screw	42	414750-001	Left Looper Shaft Lever Screw
5	544203-001	Right Looper Retainer Driving Lever Stud Set Screw	43	374136	Screw Stud
6	544213-053	Right Looper Retainer Driving Lever Clamping Screw			
7	410436	Right Looper Retainer Driving Lever Comp.			
8	410435	Right Looper Retainer			
9	370290	Right Looper Retainer Driving Stud			
10	376799	Right Looper Shaft Bushing			
11	410429	Right Looper Retainer Guide	51	376798	Left Looper Shaft Bushing
12	544203-001	Right Looper Retainer Guide Collar Screw (2)	52	544204-001	Left Looper Shaft Bushing Set Screw
13	410432	Right Looper Retainer Guide Collar Comp.	53	410456	Left Looper Holder Thread Guide
14	370281	Right Looper Retainer Guide Bracket	54	544212-001	Left Looper Holder Thread Guide Screw
15	370280	Right Looper Retainer Guide Bracket Comp.	55	376813	Left Looper Shaft
16	544213-002	Right Looper Retainer Guide Bracket Screw (2)	56	414750-001	Left Looper Holder Clamping Screw
17	410434	Right Looper	57	376838	Left Looper Holder Comp.
18	544413	Right Looper Screw	58	410452	left Looper
20	544204-001	Right Looper Shaft Bushing Set Screw	59	544211-052	Left Looper Screw
			60	281458	Looper Thread Guide
23	376813	Right Looper Shaft	62	542402	Right Looper Shaft Bushing Thrust Washer (2)
24	376707	Right Looper Cam Rod Comp.	63	542402	Left Looper Shaft Bushing Thrust Washer (2)
25	412793	Looper Cam Rod Comp.			
26	412794	Looper Cam Rod	65	544212-001	Looper Thread Guide Screw (2)
27	412795	Rod End			
28	544208-002	Rod End Set Screw			
29	376701	Looper Cam Comp.			
30	544204-001	Looper Cam Set Screw (2)			
31	412796	Right Looper Shaft Lever Comp.			
32	414750-001	Right Looper Shaft Lever Screw			
33	374136	Screw Stud			
34	376708	Left Looper Cam Rod Comp.			
35	412793	Looper Cam Rod Comp.			
36	412794	Looper Cam Rod			
37	412795	Rod End			
38	544208-002	Rod End Set Screw			



From the library of: Diamond Needle Corp

Part No.	Description	Part No.	Description
1	376842-454 Knife (movable) Lever Comp.		
2	544204-001 Knife (movable) Lever Hinge Stud Screw		
3	410310 Knife (movable) Lever Hinge Stud		
5	410308 Knife (movable) Holder Collar Comp.		
6	544203-001 Knife (movable) Holder Coller Set Screw		
8	544407 Knife (movable) Screw		
9	412585 Knife (movable)		
10	412586 Knife (movable) Holder		
13	412584 Knife (movable) Comp.		
14	410307 Knife (movable) Holder Spring		
15	376841-454 Knife (movable) Lever Comp.		
16	410312-012 Knife (movable) Lever Driving Arm Comp.		
18	410316 Knife (movable) Forked Lever Stud Bushing		
19	544204-001 Knife (movable) Forked Lever Stud Bushing Set Screw		
20	410317 Knife (movable) Forked Lever Comp.		
21	544204-001 Knife (movable) Forked Lever Screw (2)		
22	410296 Knife (stationary) Holder		
23	544207-011 Knife (stationary) Holder Screw (2)		
24	412749 Knife (stationary)		
25	410297 Knife (stationary) Clamping Plate		
26	544256 Knife (stationary) Clamping Plate Screw		
27	370226 Knife (stationary) Comp.		
31	410489 Knife (stationary) Holder Positioning Plate		
32	544211-002 Knife (stationary) Holder Positioning Plate Screw		
35	376625 Needle Guard (front)		
36	545189-051 Needle Guard (front) Screw (2)		
37	376628 Needle Guard Bracket		
38	544211-051 Needle Guard Bracket Screw (2)		

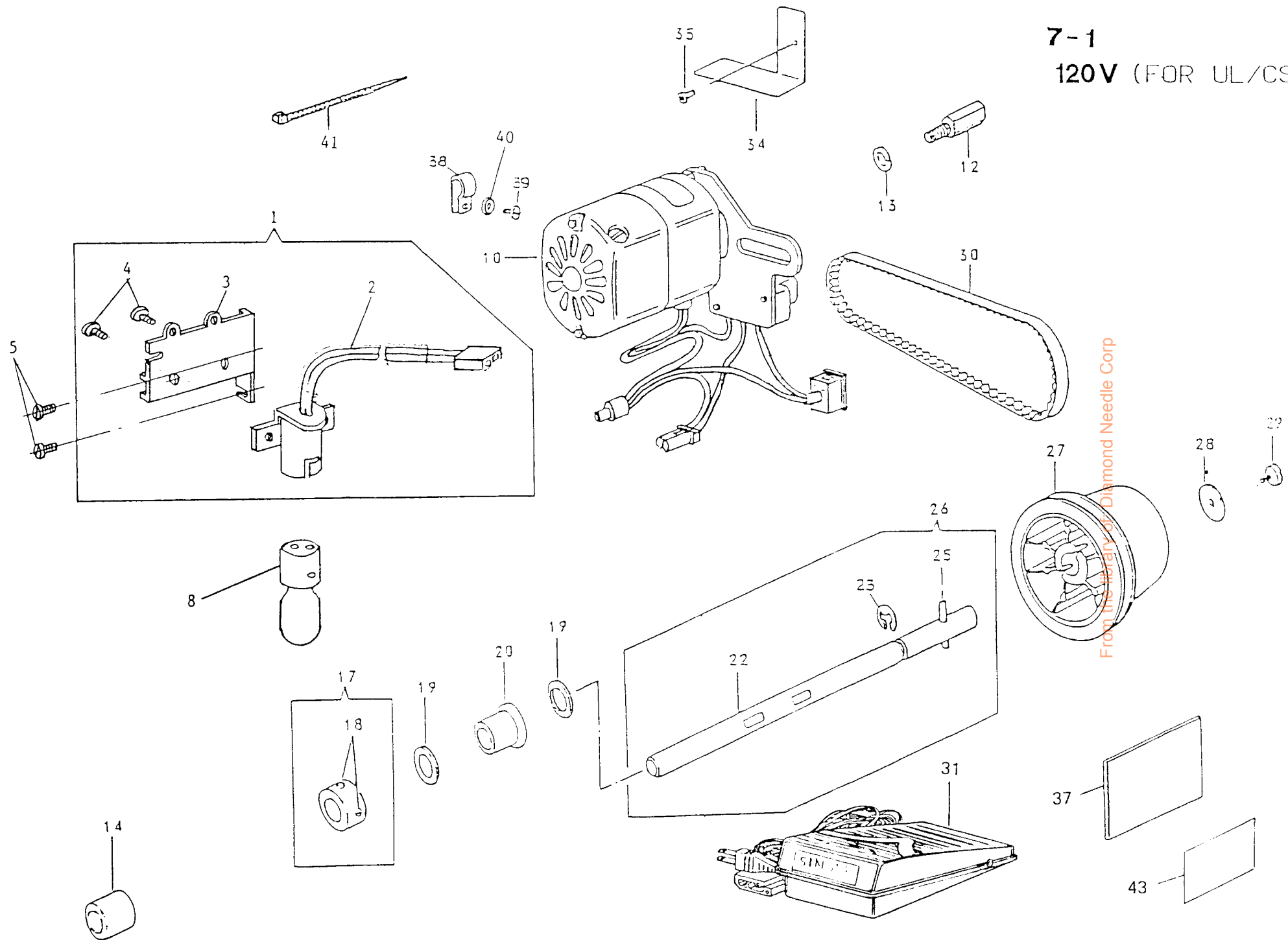
From the library of: Diamond Needle Corp



Part No.	Description	Part No.	Description
1	410378 Feed Crank	40	281467-453 Feed Mechanism Comp.
2	410380 Feed Crank Pin Center (small)	41	281403 Feed Dial Hub Comp.
3	376795 Feed Crank Pin Center (large)	42	281406 Feed Regulator Driving Cam Comp.
4	544204-001 Feed Crank Pin Center Screw (2)	43	544207-011 Feed Regulator Driving Cam Screw
5	410381 Feed Crank Pin	44	281410-453 Feed Dial
6	543801-006 Feed Crank Pin Retaining Ring	45	409213 Feed Dial Wave Washer
7	410382 Feed Crank Eccentric Pin Comp.	46	543803-005 Feed Dial Washer
8	410399 Feed Bar Comp.	47	281413 Feed Regulator Lever Comp.
9	544204-001 Feed Crank Pin Screw	48	544207-011 Feed Regulator Lever Screw
10	410387 Feed Lifting Cam Slide Block		
11	543818-010 Feed Lifting Cam Slide Block Retaining Ring	50	544213-001 Feed Dial Hub Bracket Screw (upper)
12	410385 Feed Lifting Cam Comp.	51	544212-001 Feed Dial Hub Bracket Screw (lower)
13	544204-001 Feed Lifting Cam Set Screw (2)		
14	410384 Feed Lifting Cam Comp.	53	281485 Feed Regulator Lever Spring
15	412730 Throat Plate		
16	504050-851 Throat Plate Screw		
17	412783 Feed Dog		
18	544103 Feed Dog Screw (2)		
19	376852 Feed Regulator Crank Rod Comp.		
20	544204-001 Feed Crank Eccentric Pin Screw		
21	410363 Feed Crank Rod Pin		
24	543801-006 Feed Crank Rod Pin Retaining Ring (2)		
25	410360 Feed Cam Comp.		
26	544203-001 Feed Cam Screw (2)		
27	410362 Feed Crank Rod		
28	543802-014 Feed Cam Retaining Ring		
30	376850 Feed Regulator Crank Rod Comp.		
32	412694 Throat Plate Position Screw		
34	543801-007 Feed Crank Eccentric Pin Retaining Ring		
35	281401 Feed Regulator Comp.		
36	410370 Feed Regulator Stud Bushing		
37	544204-001 Feed Regulator Stud Bushing Set Screw		

7-1

120V (FOR UL/CSA)



From the library of Diamond Needle Corp

120V (FOR UL/CSA)

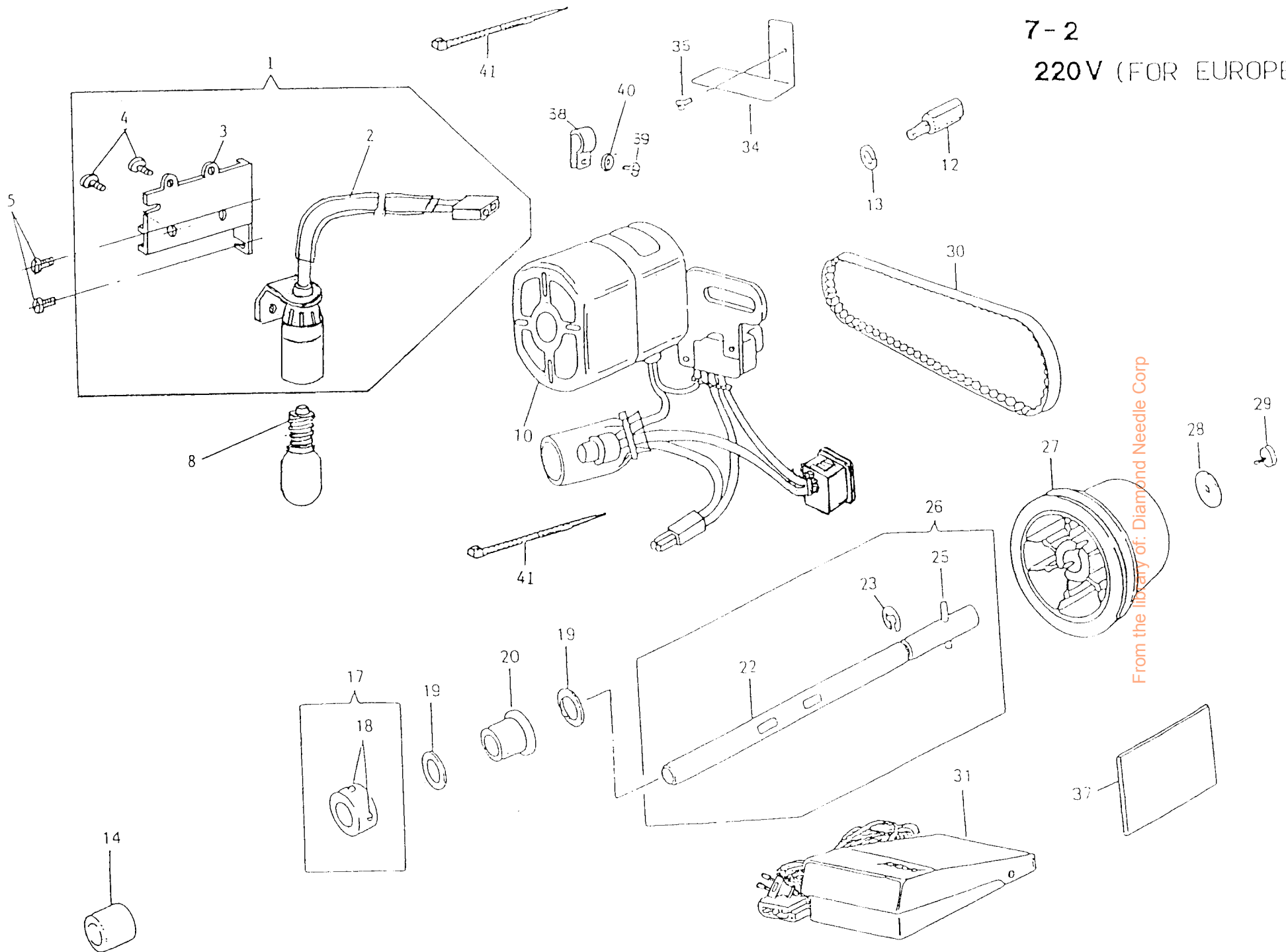
7-1

Part No.	Description	Part No.	Description
1	369265 Lamp Holder, Bracket Comp. (for 120V)	38	542766-001 Cord Holder
2	369266 Lamp Holder Comp. (for 120V)	39	544225-073 Cord Holder Screw
3	281459 Lamp Holder Bracket	40	543804-009 Cord Holder Screw Washer
4	544211-002 Lamp Holder Screw (2)		
5	544212-002 Lamp Holder Bracket Screw (2)	41	540899 Cord Holder Retainer
8	194120-019 Lamp (bayonet type) (for 120V, 15W)	43	369228-900 Caution Label (2)
10	369262-007 Motor, Switch Comp. (for 120V)		
12	544259 Motor Bracket Clamping Screw		
13	543805-005 Motor Bracket Clamping Screw Washer		
14	410252 Rotating Shaft Bushing (left)		
17	410470 Rotating Shaft Collar Comp.		
18	544204-001 Rotating Shaft Collar Set Screw (2)		
19	408730 Rotating Shaft Thrust Washer (2)		
20	410253 Rotating Shaft Bushing (right)		
22	376816 Rotating Shaft		
23	543801-010 Rotating Shaft Retaining Ring		
25	543809-004 Rotating Shaft Spring Pin		
26	376808 Rotating Shaft Comp.		
27	410268-005 Pulley		
28	543848 Pulley Set Screw Washer		
29	544270-001 Pulley Set Screw		
30	412721 Motor Belt		
31	369263-003 Controller Comp. (for 120V)		
34	412737 Cord Clamping Plate		
35	544212-001 Cord Clamping Plate Screw		
37	369232-906 Electrical Data Plate (for 120V) (for 444BA)		
37	369232-907 Electrical Data Plate (for 120V) (for 454BA)		
37	369232-908 Electrical Data Plate (for 120V) (for 444BB)		
37	369232-909 Electrical Data Plate (for 120V) (for 454BB)		

From the library of: Diamond Needle Corp

7-2

220V (FOR EUROPE)



From the library of: Diamond Needle Corp

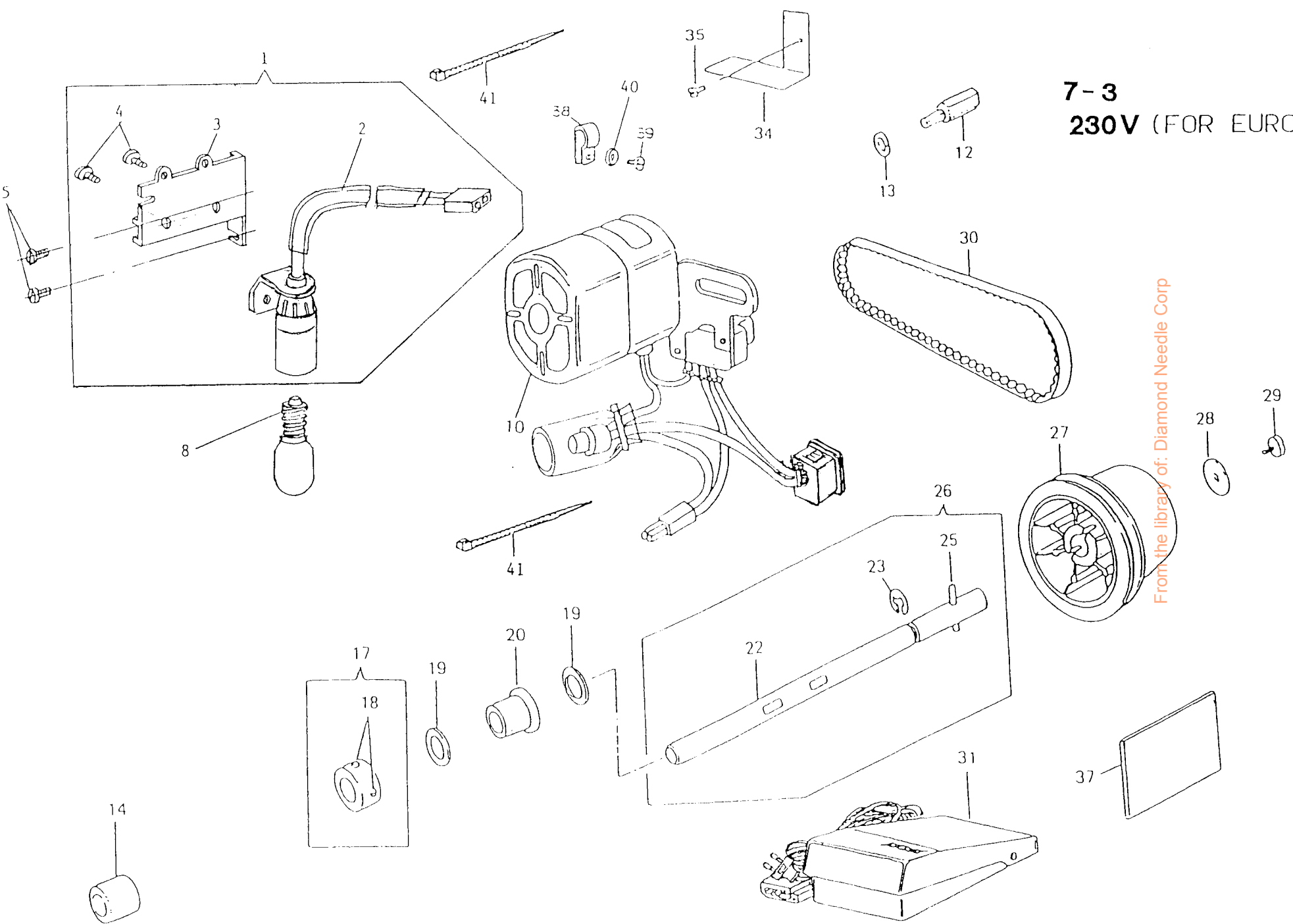
220V (FOR EUROPE)

220V (FOR EUROPE)			7-2		
Part No.	Description	Part No.	Description	Part No.	Description
1	369238	Lamp Holder, Bracket Comp. (for 220V)	38	542766-001	Cord Holder
2	369213	Lamp Holder Comp. (for 220V)	39	544225-073	Cord Holder Screw
3	281459	Lamp Holder Bracket	40	543804-009	Cord Holder Screw Washer
4	544211-002	Lamp Holder Screw (2)			
5	544212-002	Lamp Holder Bracket Screw (2)	41	540899	Cord Holder Retainer
8	369215-001	Lamp (screw type) (for 220V, 15W)	41	540899	Motor Cord Retainer
10	419196-357	Motor, Switch Comp. (for 220V)			
12	544259	Motor Bracket Clamping Screw			
13	543805-005	Motor Bracket Clamping Screw Washer			
14	410252	Rotating Shaft Bushing (left)			
17	410470	Rotating Shaft Collar Comp.			
18	544204-001	Rotating Shaft Collar Set Screw (2)			
19	408730	Rotating Shaft Thrust Washer (2)			
20	410253	Rotating Shaft Bushing (right)			
22	376816	Rotating Shaft			
23	543801-010	Rotating Shaft Retaining Ring			
25	543809-004	Rotating Shaft Spring Pin			
26	376808	Rotating Shaft Comp.			
27	410268-005	Pulley			
28	543848	Pulley Set Screw Washer			
29	544270-001	Pulley Set Screw			
30	412721	Motor Belt			
31	419465-151	Controller Comp. (for 220V)			
34	412737	Cord Clamping Plate			
35	544212-001	Cord Clamping Plate Screw			
37	—	Electrical Data Plate (for 220V) (for 444B)			
37	—	Electrical Data Plate (for 220V) (for 454B)			

From the library of: Diamond Needle Corp

7-3
230V (FOR EUROPE)

From the library of: Diamond Needle Corp



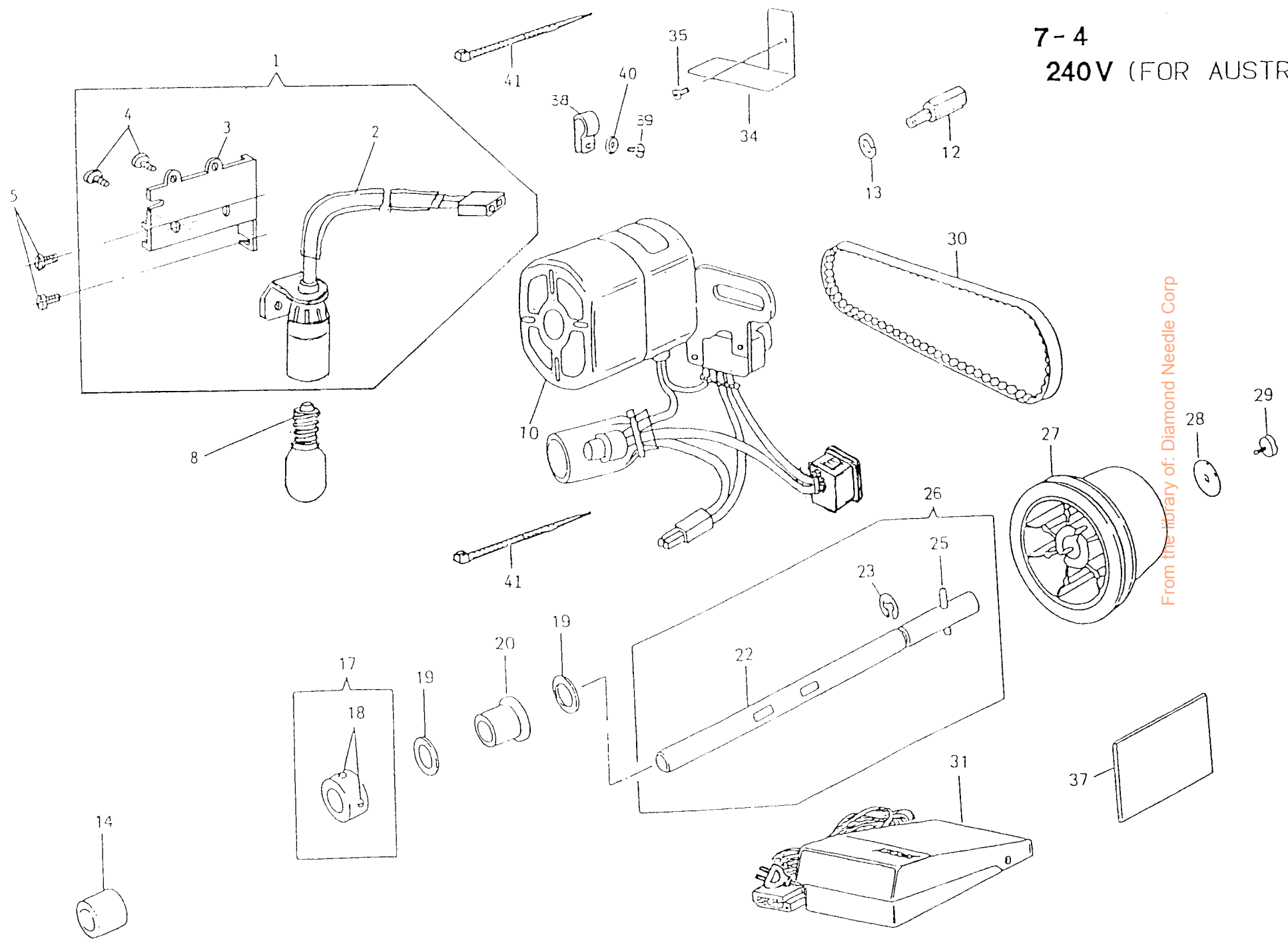
230V (FOR EUROPE)

7-3

Part No.	Description	Part No.	Description
1	369238 Lamp Holder, Bracket Comp. (for 230V)	38	542766-001 Cord Holder
2	369213 Lamp Holder Comp. (for 230V)	39	544225-073 Cord Holder Screw
3	281459 Lamp Holder Bracket	40	543804-009 Cord Holder Screw Washer
4	544211-002 Lamp Holder Screw (2)		
5	544212-002 Lamp Holder Bracket Screw (2)	41	540899 Cord Holder Retainer
8	369215-001 Lamp (screw type) (for 230V, 15W)	41	540899 Motor Cord Retainer
10	369221-357 Motor, Switch Comp. (for 230V)		
12	544259 Motor Bracket Clamping Screw		
13	543805-005 Motor Bracket Clamping Screw Washer		
14	410252 Rotating Shaft Bushing (left)		
17	410470 Rotating Shaft Collar Comp.		
18	544204-001 Rotating Shaft Collar Set Screw (2)		
19	408730 Rotating Shaft Thrust Washer (2)		
20	410253 Rotating Shaft Bushing (right)		
22	376816 Rotating Shaft		
23	543801-010 Rotating Shaft Retaining Ring		
25	543809-004 Rotating Shaft Spring Pin		
26	376808 Rotating Shaft Comp.		
27	410268-005 Pulley		
28	543848 Pulley Set Screw Washer		
29	544270-001 Pulley Set Screw		
30	412721 Motor Belt		
31	419465-165 Controller Comp. (for 230V)		
34	412737 Cord Clamping Plate		
35	544212-001 Cord Clamping Plate Screw		
37	369305-008 Electrical Data Plate (for 230V) (for 444B)		
37	369305-007 Electrical Data Plate (for 230V) (for 454B)		

From the library of: Diamond Needle Corp

7-4
240V (FOR AUSTRALIA)



From the library of: Diamond Needle Corp

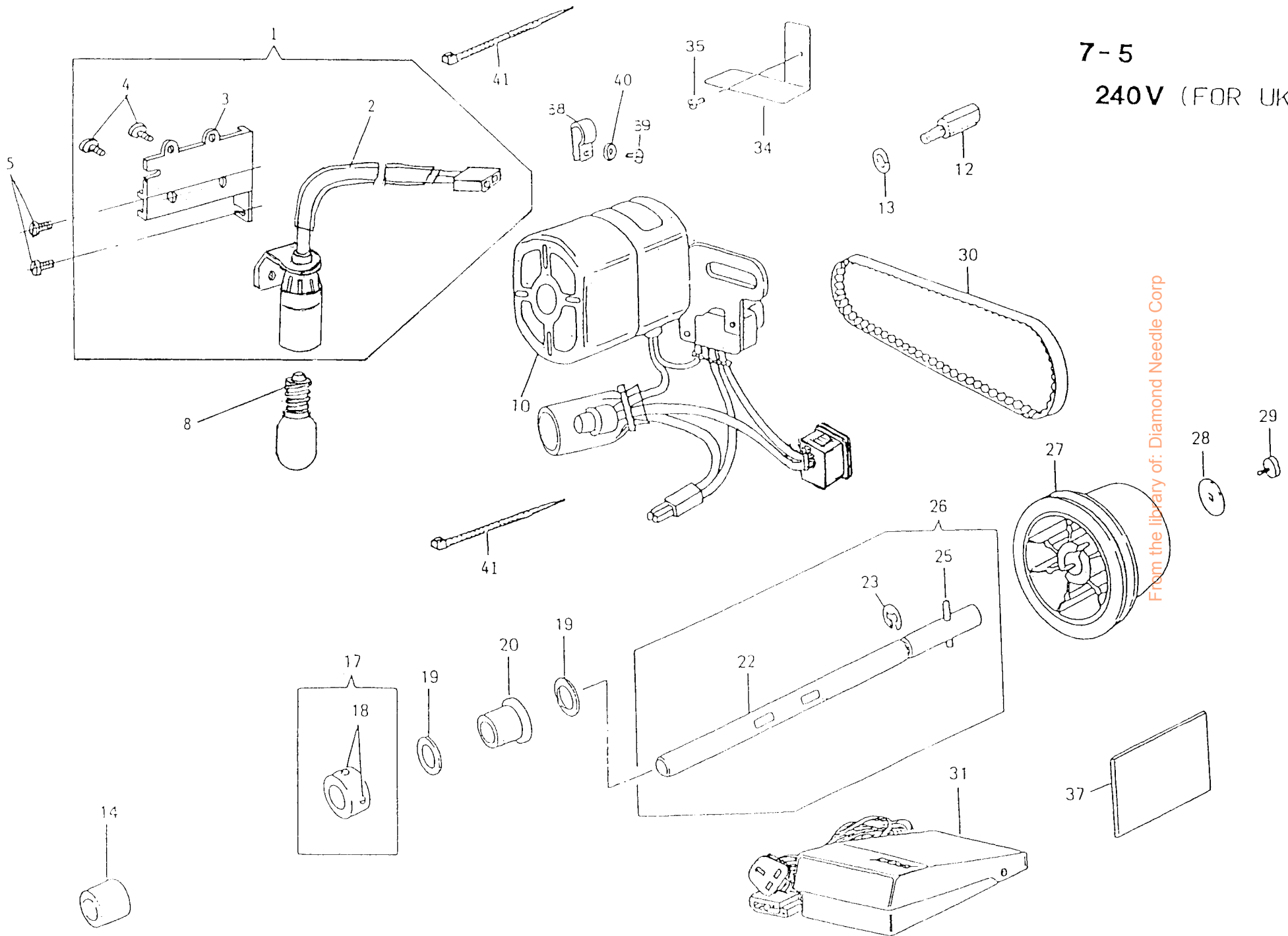
240V (FOR AUSTRALIA)

Part No.	Description	Part No.	Description
1	369238 Lamp Holder, Bracket Comp. (for 240V)	38	542766-001 Cord Holder
2	369213 Lamp Holder Comp. (for 240V)	39	544225-073 Cord Holder Screw
3	281459 Lamp Holder Bracket	40	543804-009 Cord Holder Screw Washer
4	544211-002 Lamp Holder Screw (2)		
5	544212-002 Lamp Holder Bracket Screw (2)	41	540899 Cord Holder Retainer
		41	540899 Motor Cord Retainer
8	369215-001 Lamp (screw type) (for 240V, 15W)		
10	419196-167 Motor, Switch Comp. (for 240V)		
12	544259 Motor Bracket Clamping Screw		
13	543805-005 Motor Bracket Clamping Screw Washer		
14	410252 Rotating Shaft Bushing (left)		
17	410470 Rotating Shaft Collar Comp.		
18	544204-001 Rotating Shaft Collar Set Screw (2)		
19	408730 Rotating Shaft Thrust Washer (2)		
20	410253 Rotating Shaft Bushing (right)		
22	376816 Rotating Shaft		
23	543801-010 Rotating Shaft Retaining Ring		
25	543809-004 Rotating Shaft Spring Pin		
26	376808 Rotating Shaft Comp.		
27	410268-005 Pulley		
28	543848 Pulley Set Screw Washer		
29	544270-001 Pulley Set Screw		
30	412721 Motor Belt		
31	419465-161 Controller Comp. (for 240V)		
34	412737 Cord Clamping Plate		
35	544212-001 Cord Clamping Plate Screw		
37	— Electrical Data Plate (for 240V) (for 444B)		
37	— Electrical Data Plate (for 240V) (for 454B)		

From the library of: Diamond Needle Corp

7-5

240V (FOR UK)

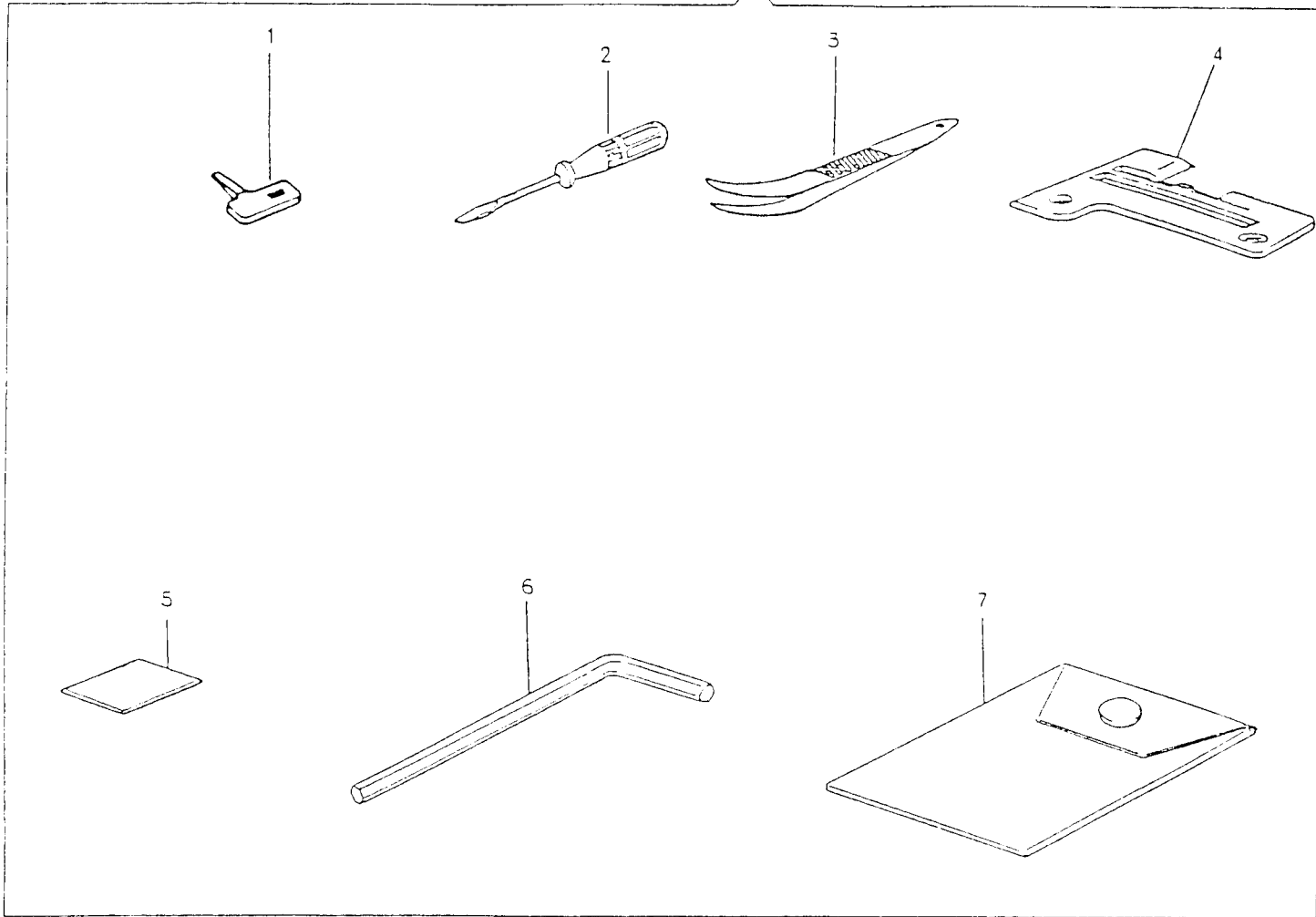


From the library of: Diamond Needle Corp

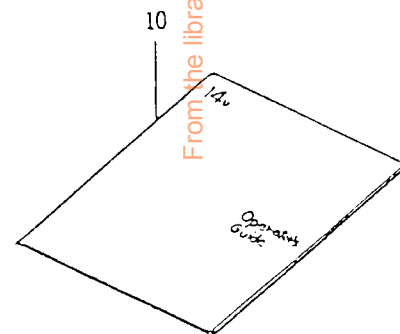
240V (FOR UK)

Part No.		Description	Part No.		Description
1	369238	Lamp Holder, Bracket Comp. (for 240V)	38	542766-001	Cord Holder
2	369213	Lamp Holder Comp. (for 240V)	39	544225-073	Cord Holder Screw
3	281459	Lamp Holder Bracket	40	543804-009	Cord Holder Screw Washer
4	544211-002	Lamp Holder Screw (2)			
5	544212-002	Lamp Holder Bracket Screw (2)	41	540899	Cord Holder Retainer
8	369215-001	Lamp (screw type) (for 240V, 15W)	41	540899	Motor Cord Retainer
10	419196-167	Motor, Switch Comp. (for 240V)			
12	544259	Motor Bracket Clamping Screw			
13	543805-005	Motor Bracket Clamping Screw Washer			
14	410252	Rotating Shaft Bushing (left)			
17	410470	Rotating Shaft Collar Comp.			
18	544204-001	Rotating Shaft Collar Set Screw (2)			
19	408730	Rotating Shaft Thrust Washer (2)			
20	410253	Rotating Shaft Bushing (right)			
22	376816	Rotating Shaft			
23	543801-010	Rotating Shaft Retaining Ring			
25	543809-004	Rotating Shaft Spring Pin			
26	376808	Rotating Shaft Comp.			
27	410268-005	Pulley			
28	543848	Pulley Set Screw Washer			
29	544270-001	Pulley Set Screw			
30	412721	Motor Belt			
31	419465-167	Controller Comp. (for 240V)			
34	412737	Cord Clamping Plate			
35	544212-001	Cord Clamping Plate Screw			
37	419461-003	Electrical Data Plate (for 240V) (for 444B)			
37	419461-004	Electrical Data Plate (for 240V) (for 454F)			

8



8



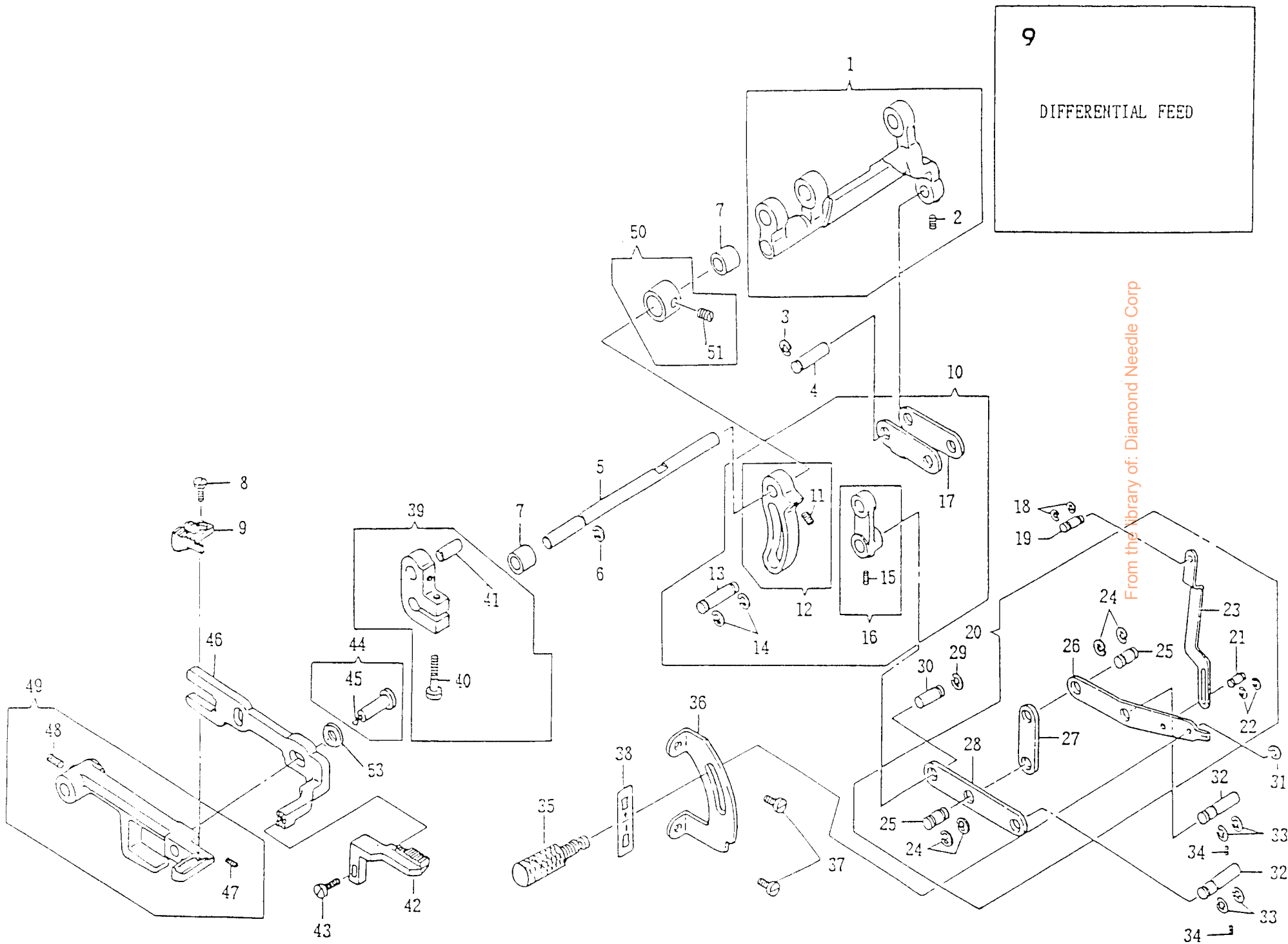
From the library of: Diamond Needle Corp

	Part No.	Description			
1	541561	Driver (sheet metal)			
2	541514	Driver (small size)			
3	376638	Tweezers			
4	412784	Throat Plate Comp. (for rolled hem)			
5	410189	Needle Pack			
6	543066	Hexagon Wrench Key			
7	410191	Accessory Pack			
8	370229-004	Accessory Set			
10	379459-002	Operator's Guide (for English)			

From the library of: Diamond Needle Corp

9

DIFFERENTIAL FEED



From the Library of: Diamond Needle Corp

Part No..	Description	Part No..	Description		
1	412618	Differential Feed Crank Comp.	34	544203-001	Differential Feed Adjusting Lever Stud Screw (2)
2	544204-001	Differential Feed Crank Stud Screw	35	376784	Differential Feed Konb Screw
3	543801-006	Differential Feed Crank Stud Retaining Ring	36	412645	Differential Feed Adjusting Lever Guide Plate
4	412620	Differential Feed Crank Stud	37	544212-001	Differential Feed Adjusting Lever Guide Plate Screw (2)
5	412628	Differential Feed Shaft	38	412655-902	Differential Feed Sticker
6	543801-006	Differential Feed Shaft Retaining Ring	39	376518	Differential Feed Arm Comp.
7	410324	Differential Feed Shaft Bushing (2)	40	544212-055	Differential Feed Arm Clamping Screw
8	544103	Main Feed Dog Screw	41	412634	Auxiliary Feed Bar Driving Pin
9	376521	Main Feed Dog	42	376522	Auxiliary Feed Dog
10	412621	Differential Feed Crank Rod Comp.	43	544490	Auxiliary Feed Dog Screw
11	544204-001	Differential Feed Adjusting Arm Screw	44	410266	Auxiliary Feed Bar Guide Pin Comp.
12	412623	Differential Feed Adjusting Arm Comp.	45	410422	Auxiliary Feed Bar Guide Pin Wick
13	412627	Differential Feed Crank Rod Stud	46	412648	Auxiliary Feed Bar
14	543801-006	Differential Feed Crank Rod Stud Retaining Ring (2)	47	544203-001	Auxiliary Feed Bar Guide Pin Screw
15	544203-001	Differential Feed Adjusting Lever Arm Pin Screw	48	544204-001	Feed Crank Pin Screw
16	412625	Differential Feed Adjusting Lever Arm Comp.	49	412646	Main Feed Bar Comp.
17	412622	Differential Feed Crank Rod	50	375390	Differential Feed Shaft Collar Comp.
18	543801-002	Differential Feed Safety Plate Stud (upper) Retaining Ring (2)	51	544207-011	Differential Feed Shaft Collar Screw
19	412643	Differential Feed Safety Plate Stud (upper)	53	543531	Auxiliary Feed Bar Guide Pin Thrust Washer
20	412636	Differential Feed Adjusting Lever Comp.			
21	412642	Differential Feed Safety Plate Stud (lower)			
22	543801-002	Differential Feed Safety Plate Stud (lower) Retaining Ring (2)			
23	412641	Differential Feed Safety Plate			
24	543801-006	Differential Feed Adjusting Lever Pin Retaining Ring (4)			
25	412638	Differential Feed Adjusting Lever Pin (2)			
26	412640	Differential Feed Adjusting Lever (upper)			
27	412639	Differential Feed Adjusting Lever Link			
28	412637	Differential Feed Adjusting Lever (lower)			
29	543801-006	Differential Feed Adjusting lever Arm Pin Retaining Ring			
30	412635	Differential Feed Adjusting Lever Arm Pin			
31	543860-003	Differential Feed Konb Screw Retaining Ring			
32	412644	Differential Feed Adjusting Lever Stud (2)			
33	543801-006	Differential Feed Adjusting Lever Stud Retaining Ring (4)			